

SERIES SPPM2 | GRAPHICAL USER INTERFACE PANEL METER

FEATURES/BENEFITS

- Large 4.3" touch screen display can be powered from USB or 5 to 30 VDC supply
- Free design software allows users to drag and drop elements onto the screen to quickly develop their specific interface
- Accepts up to 4 analog inputs, 8 digital I/O, 4 PWM outputs, and 2 open collector alarm outputs

APPLICATIONS

- Lift station pump control
- Room condition monitoring display
- Walk-in refrigeration/freezer control



DESCRIPTION

The **SERIES SPPM2** Graphical User Interface Panel Meter is a configurable, full-color 4.3" (109 mm) touch screen display that can be used in a variety of applications. By using the free Windows® based Interface Panel Design Studio software, users can personalize the display with buttons, switches, and analog and digital scales to suit their needs. A development kit is also available, which includes a development board with buttons, dials, LEDs, and screw terminals to test the functionality of all inputs and outputs.

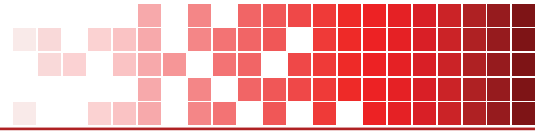
DISPLAY SPECIFICATIONS

Inputs	Mini-USB, 6-line screw terminal analog, 4 x ± 40 V, or 4 to 20 mA, 8 x digital I/O.
Outputs	4 x PWM, 2 x alarms (open collector).
Accuracy	$\pm 0.05\% \pm 0.1$ mV (typ).
Resolution	0.04 mV (max) or 4 decimal places.
Power Supply	USB port or 5 to 30 VDC.
Current Consumption	400 mA at 5 VDC.
Display	4.3" (10.9 cm) TFT LCD with 262k colors.
Display Resolution	480 x 272 pixels.
Sampling Rate	10 samples/s.
Temperature Limits	32 to 104°F (0 to 40°C).
Warm Up	15 sec.
Mounting	Panel mount.
Electrical Connections	Multi-pin DIL's, 1 mini-USB, and 1 RS232.
Computer Requirements	Compatible with Windows® 7, Windows® 8 and Windows® 10.
Weight	6.7 oz (181 g).
Agency Approvals	CE.

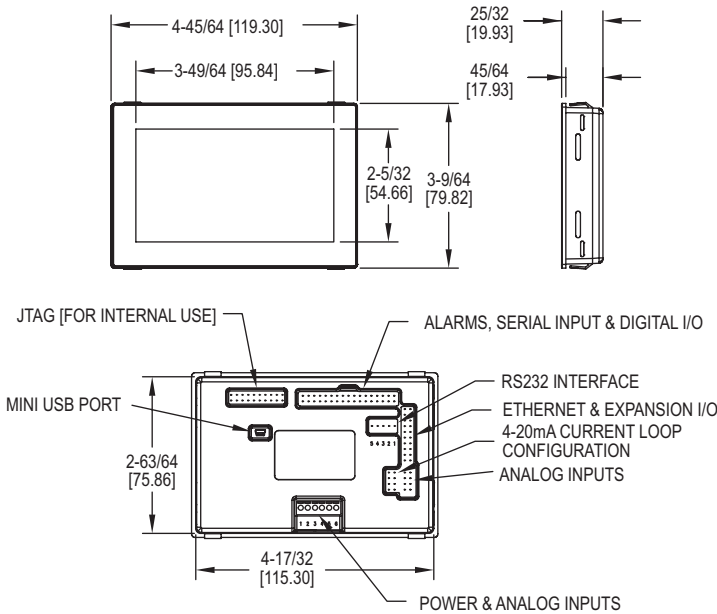
DEVELOPMENT BOARD SPECIFICATIONS

Inputs	4 x ± 5 VDC.
Outputs	8 x digital I/O, 4 x PWM.
Serial Communications	RS232.
Power Supply	USB port or 5 to 30 VDC.
Weight	19.7 oz (560 g).

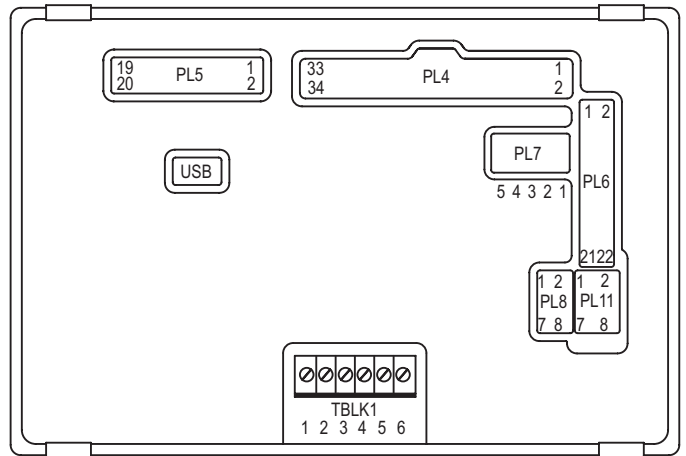




DIMENSIONS



WIRING DIAGRAM



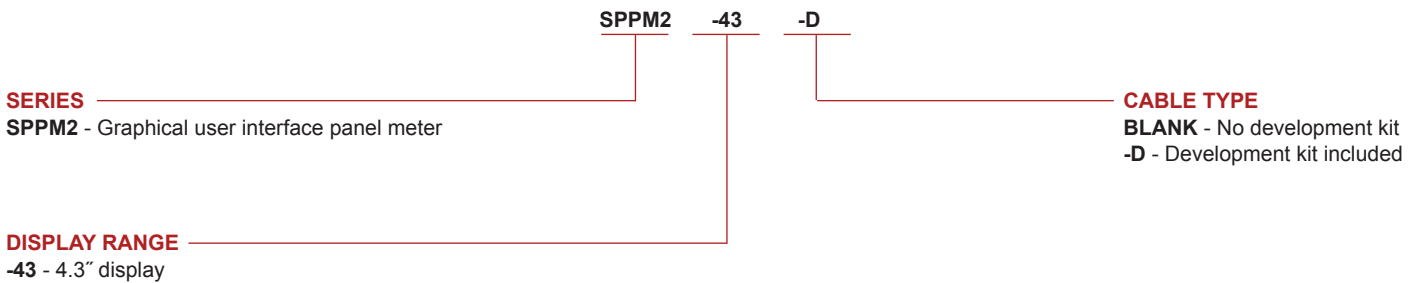
TBLK1: POWER & ANALOG INPUTS*

PIN Number	Function
1	Supply Voltage: V+
2	0 V
3	Analog Input 4 (IN4)
4	Analog Input 3 (IN3)
5	Analog Input 2 (IN2)
6	Analog Input 1 (IN1)

*Input information for PL4, PL5, PL6, PL7, PL8, and PL11 can be found in bulletin PC-SPPM2.

HOW TO ORDER

Use the **bold** characters from the chart below to construct a product code.



Windows® is a registered trademark of Microsoft Corporation.

Important Notice: Dwyer Instruments, Inc. reserves the right to make changes to or discontinue any product or service identified in this publication without notice. Dwyer advises its customers to obtain the latest version of the relevant information to verify, before placing any orders, that the information being relied upon is current.

