

# FIBA-TEK

## LAF KABİNLERİ



TEKNİK KATALOG

2021



## LAF KABİNİ NEDİR ?



**Fan Filtre Üniteli Laminar Akış Kabinlerinde Kabin İçersinde Laminar Akış Sağlanırken Kabin İçerisi Pozitif Basınçta Kalır. Bu Modeller Sadece Laminar Akış Sağlamak İçin Kullanılmalıdır. Tavana Asmalı Ve Ayaklı Olarak İhtiyaca Yönelik Değişik Ebatlarda Tasarlanmaktadır.**

# FIBA-TEK

## FIBA-TEK

## FIBA-TEK

## TASARIM

**Ön Filtre G4**

**Fanlar**

**Hepa Filtre ( H13 - H14 )**

**Aydınlatma**

**Elektrik & Otomatik Kontrol Sistemleri**

**PVC Perde**

**Ayaklar & Asma Ünitesi & Laminizatör**

**OPSİYEL Soğutucu Serpantin - Sıcaklık - Bağıl Nem -  
Dijital Kontrol - LED Ekran**

## KULLANIM YERLERİ

**Üretim Hatları**

**Numune Alma**

**Tartım**

**Ambalajlama**

**Besiyeri & Besi Hazırlık & İnkübasyon**

**Laboratuvar & Kimya Alanı**

**Gıda & Optik & Elektronik & Tohumculuk**

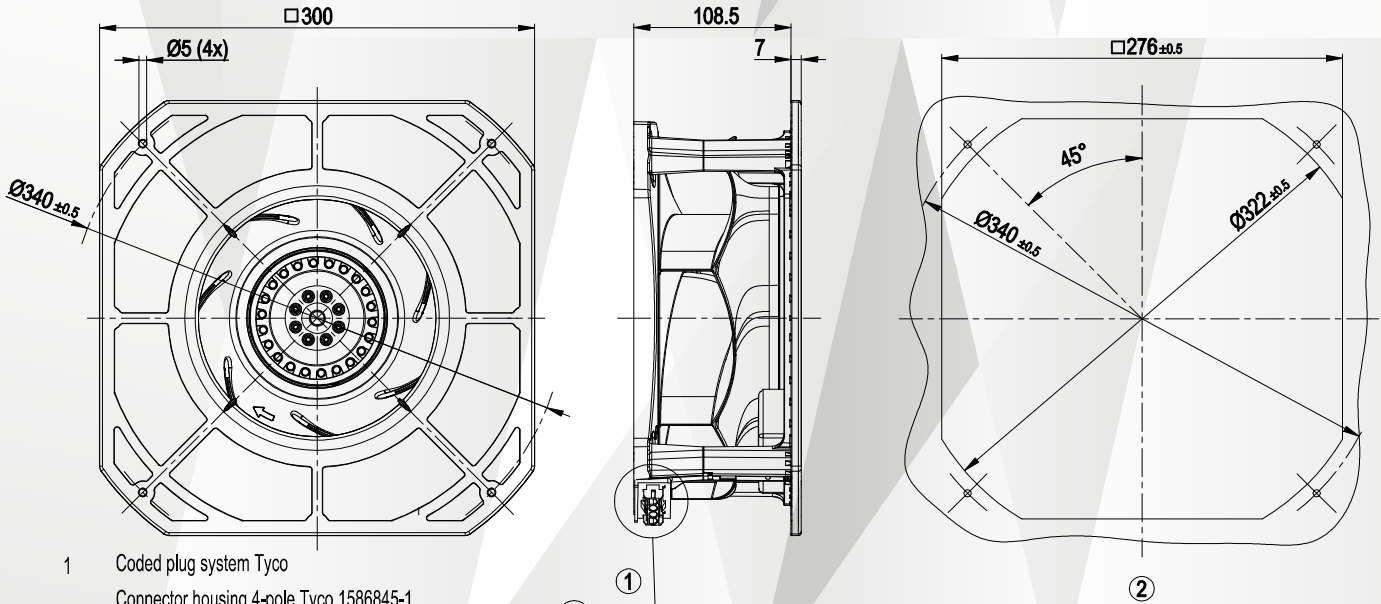
**Tüp Bebek & Sağlık Sistemi**

## HİJYENİK PERDE DATASHEET



PROPERTY	STANDARD	UNITS	STANDARD	REINFORCED	POLAR	SUPER POLAR	ANTI-INSECT	ANTI-STATIC	FIRE RETARDANT	SUPER UV RESISTANT	85 SH.A	COLORLED OPAQUE OR TRANSP.	SCREENFLEX (WELDING)
LIGHT TRANSMITTANCE	ASTM D 1003	%	85	85	85	85	> 80	85	85	80	85	0 to 80	> = 13
SHORE A HARDNESS	EN ISO 868	Sh A	80	80	65	62	80	80	80	80	85	65 to 85	80
TEARING RESISTANCE	DIN 53515	N/mm	50	80	28	25	50	50	65	50	65	28 to 65	55
TENSILE STRENGTH AT BREAK	ASTM D 638	N/mm <sup>2</sup>	16	16	12	10	16	16	20	16	20	12 to 20	18
ELONGATION AT BREAK		%	340	340	390	420	340	340	280	340	280	280 to 390	300
RESIDUAL ELONG (AFTER BREAK)	EN ISO 527	%	68	60	76	80	68	68	60	68	60	60 to 76	62
TERMAL CONDUCTIVITY	ASTM C 177	W/m.K	0,16	0,16	0,16	0,16	0,16	0,16	0,16	0,16	0,16	0,16	0,16
COLD BEND BRITTLE TEMP.	ISO 8570	°C	-35	-35	-40	-65	-35	-35	-20	-35	-20	-20 to -40	-25
MIN.USAGE TEMP.	EN 1876	°C	-15	-15	-25	-60	-15	-15	0	-15	0	-15 to -25	-15
MAX.USAGE TEMP.		°C	50	+50	+30	+15	+50	+50	+50	+50	+50	+30 to +50	+50
VICAT SOFTENING TEMP.	EN ISO 306	°C	50	50	48	46	50	50	50	50	50	48 to 50	50
SPECIFIC HEAT CAPACITY	ISO 11357	kJ/Kg.K	1,6	1,6	1,6	1,6	1,6	1,6	1,6	1,6	1,6	1,6	1,6
SOUND REDUCTION	DIN 52210	Db	>35	>35	>35	>35	>35	>35	>35	>35	>35	>35	>35
REACTION TO FIRE	NF P 92507 AS/NZS 3837 DIN 4102	Grade	Grp4 B2	Grp4 B2	-	-	Grp4 B2	Grp4 B2	M2 Grp 3	Grp4 B2	Grp4 B2	Grp4 B2	EN 1598
UV / IR FILTER	EN 1598	Filter	-	-	-	-	-	-	-	-	-	-	EN 1598
UV TRESISTANCE	ISO 4892	-	Yes	Yes	Yes	Yes	Yes	Yes	Yes	High	Yes	Yes	High
CHARGE BUILDUP	IEC 61087	Sparks	Yes	Yes	Yes	Yes	Yes	No	Yes	Yes	Yes	Yes	Yes
SURFACE RESISTIVITY	IEC 60093		4,10 <sup>13</sup>	4,10 <sup>13</sup>	4,10 <sup>13</sup>	4,10 <sup>13</sup>	4,10 <sup>13</sup>	2,10 <sup>13</sup>	4,10 <sup>13</sup>	4,10 <sup>13</sup>	4,10 <sup>13</sup>	4,10 <sup>13</sup>	4,10 <sup>13</sup>
WATER ABSORPTION	EN ISO 62	%	-0,2	-0,2	-0,2	-0,2	-0,2	1 to 1,6	-0,2	-0,2	-0,2	-0,2	-0,2
ANTI-INSECT	-	-	No	No	No	No	No	Yes	No	No	No	No	No
DENSITY	ASTM D 792	g/cm <sup>3</sup>	1,22	1,23	1,18	1,18	1,22	1,22	1,33	1,22	1,29	1,2 to 1,5	1,2 to 1,3

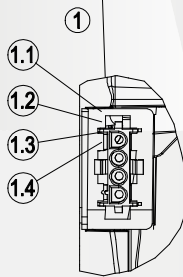
## AC FAN DETAY



- 1 Coded plug system Tyco  
 Connector housing 4-pole Tyco 1586845-1  
 2x plug pin Tyco 926885-1, 2x plug pin Tyco 926883-1  
 Mating connector (not included in standard scope of delivery):  
 Connector housing 4-pole Tyco 926298-6  
 4x female connector Tyco 926 884-1

- 1.1 PE  
 1.2 L  
 1.3 N + capacitor  
 1.4 Capacitor  
 (Capacitor switched internally)

- 2 Mounting dimensions





## AC FAN DETAY

### Technical features

<b>Mass</b>	3.65 kg
<b>Size</b>	250 mm
<b>Surface of rotor</b>	Coated in black
<b>Material of impeller</b>	PA plastic
<b>Housing material</b>	PA plastic
<b>Number of blades</b>	7
<b>Direction of rotation</b>	Clockwise, seen on rotor
<b>Type of protection</b>	IP 44; Depending on installation and position
<b>Insulation class</b>	"F"
<b>Humidity class</b>	F1-2
<b>Max. permissible ambient motor temp. (transp./ storage)</b>	+ 80 °C
<b>Min. permissible ambient motor temp. (transp./storage)</b>	- 40 °C
<b>Mounting position</b>	Any
<b>Condensate discharge holes</b>	None
<b>Operation mode</b>	S1
<b>Motor bearing</b>	Ball bearing
<b>Touch current acc. IEC 60990 (measuring network Fig. 4, TN system)</b>	< 0.75 mA
<b>Electrical leads</b>	With plug
<b>Motor protection</b>	Thermal overload protector (TOP) wired internally
<b>Cable exit</b>	Variable
<b>Protection class</b>	I (if protective earth is connected by customer)
<b>Product conforming to standard</b>	EN 60335-1; CE
<b>Approval</b>	CCC; EAC

### Nominal data

Type	K2E250-R	A50-01
<b>Motor</b>	<b>M2E068-E</b>	<b>C</b>
Phase		1~ 1~
Nominal voltage		VAC 230 230
Frequency		Hz 50 60
Type of data definition		ml ml
Valid for approval / standard		CE CE
Speed		min <sup>-1</sup> 2500 2450
Power input		W 210 285
Current draw		A 0.93 1.25
Motor capacitor		µF 5 5
Capacitor voltage		VDB 400 400
Capacitor standard		P0 (CE) P0 (CE)
Min. back pressure		Pa 0 0
Min. ambient temperature		°C -25 -25
Max. ambient temperature		°C 70 30
Starting current		A 1.5 1.4

ml = Max. load · me = Max. efficiency · f  
Subject to alterations

Running at free air · cs = Customer specs · cu = Customer unit



## AC FAN DETAY

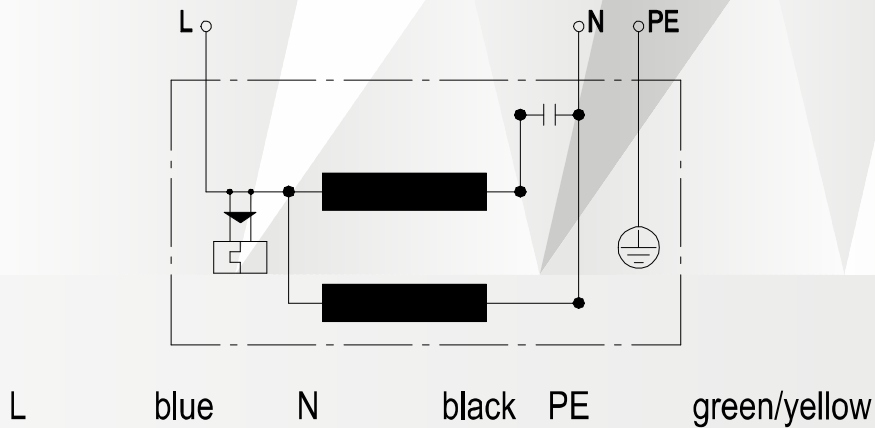


### Data according to ErP directive

Installation category	A	Overall efficiency $\eta_{es}$	%	Actual 40.6	Request 2013 40.4	Request 2015 44.4
Efficiency category	Static	Efficiency grade N		58.2	58	62
Variable speed drive	No	Power input $P_e$	kW	0.21		
Specific ratio*	1.00	Air flow $q_v$	m <sup>3</sup> /h	905		
		Pressure increase $p_{fs}$	Pa	334		
		Speed n	min <sup>-1</sup>	2505		

\* Specific ratio =  $1 + p_{fs} / 100\,000\text{ Pa}$

### Connection screen

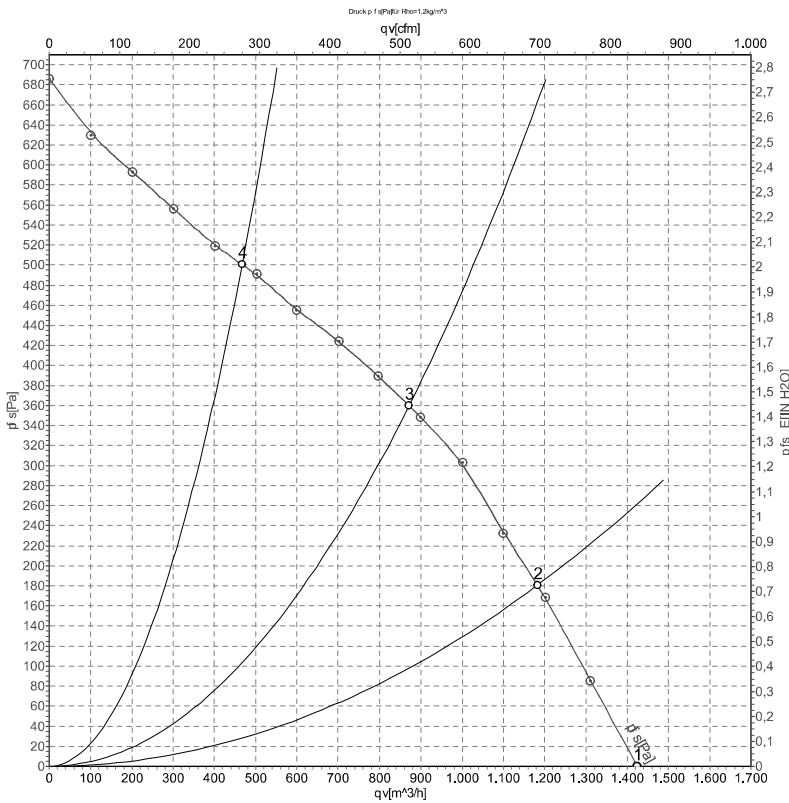




# FIBA-TEK

## AC FAN DETAY

Charts: Air flow 50 Hz



Air performance measured as per ISO 5801 Installation category A. For detailed information on the measuring set-up, please contact ebm-papst. Suction-side noise levels: L<sub>wA</sub> measured as per ISO 13347 / L<sub>pA</sub> measured with 1m distance to fan axis. The values given are valid under the measuring conditions mentioned above and may vary according to the actual installation situation. With any deviation from the standard set-up, the specific values have to be checked and reviewed with the unit installed.

Measured values

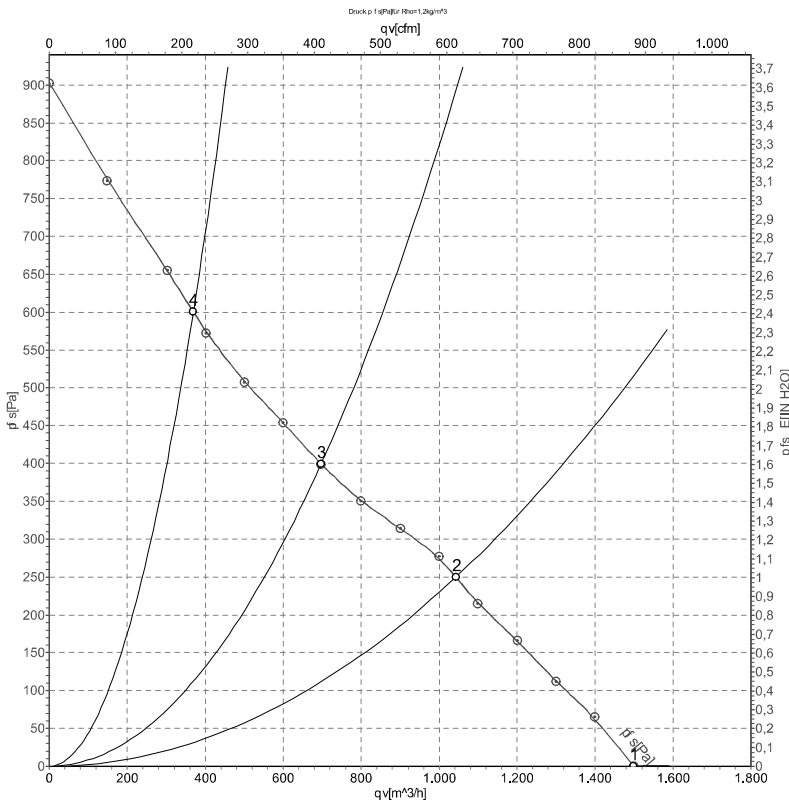
	U	f	n	P <sub>e</sub>	I	L <sub>pA<sub>in</sub></sub>	L <sub>wA<sub>in</sub></sub>	qv	p <sub>fs</sub>
	V	Hz	min <sup>-1</sup>	W	A	dB(A)	dB(A)	m³/h	Pa
1	230	50	2630	179	0.78	67	75	1425	0
2	230	50	2535	206	0.90	62	70	1180	180
3	230	50	2500	210	0.93	58	67	870	360
4	230	50	2585	189	0.83	64	72	465	500

U = Supply voltage · f = Frequency · n = Speed · P<sub>e</sub> = Power input · I = Current draw · L<sub>pA<sub>in</sub></sub> = Sound pressure level inlet side · L<sub>wA<sub>in</sub></sub> = Sound power level inlet side · qv = Air flow  
 p<sub>fs</sub> = Pressure increase

## AC FAN DETAY



Charts: Air flow 60 Hz



Air performance measured as per ISO 5801 Installation category A. For detailed information on the measuring set-up, please contact ebm-papst. Suction-side noise levels: LwA measured as per ISO 13347 / LpA measured with 1m distance to fan axis. The values given are valid under the measuring conditions mentioned above and may vary according to the actual installation situation. With any deviation from the standard set-up, the specific values have to be checked and reviewed with the unit installed.

Measured values

	U	f	n	P <sub>e</sub>	I	LpA <sub>in</sub>	LwA <sub>in</sub>	qv	P <sub>fs</sub>
	V	Hz	min <sup>-1</sup>	W	A	dB(A)	dB(A)	m³/h	Pa
1	230	60	2775	246	1.07	68	77	1500	0
2	230	60	2450	285	1.25	61	69	1045	250
3	230	60	2460	272	1.19	60	69	700	400
4	230	60	2785	246	1.06	68	76	370	600

U = Supply voltage · f = Frequency · n = Speed · P<sub>e</sub> = Power input · I = Current draw · LpA<sub>in</sub> = Sound pressure level inlet side · LwA<sub>in</sub> = Sound power level inlet side · qv = Air flow  
 p<sub>fs</sub> = Pressure increase

# FIBA-TEK

FIBA-TEK LAF KABİNİ ÜRETİM FABRİKASI



## LAF KABİNLERİ

# TEKNİK KATALOG 2021



[www.fiba-tek.com](http://www.fiba-tek.com)

[info@fiba-tek.com](mailto:info@fiba-tek.com) [sales@fiba-tek.com](mailto:sales@fiba-tek.com)

**FIBA-TEK MÜHENDİSLİK İNŞAAT İMALAT SANAYİ TİCARET LİMİTED ŞİRKETİ**

MERKEZ - ATISAN 253. SOKAK NO:1 MACUNKÖY MAHALLESİ - OSTİM - YENİMAHALLE - ANKARA

TEL: 90 312 386 23 53 FAX 90 312 386 23 54

LOJİSTİK - AHLATLIBEL MAHALLESİ 1889. SOKAK NO:26 ÇANKAYA ANKARA

FABRİKA - SARAYKENT MAHALLESİ 301.SOKAK NO:41 KAHRAMANKAZAN - ANKARA